

# ***Opencoach Deluxe with Gas Shock Suspension***

*Assembly Instructions*

Congratulations!

You are the owner of the best snowmobile cutter on the market today! Our newest Snowcoach combines all of the tried and true qualities of of the Opencoach Deluxe and takes it a step further with our new luxurius Gas Shock suspension. You'll find this model to be truly a marvel and we're sure that you'll get hours of enjoyment from its' use.

Your Opencoach is partially knocked down for easy shipment, so some assembly is required. Follow these simple instructions and enjoy your Opencoach!



Important: **Save these instructions, DO NOT DISCARD!**

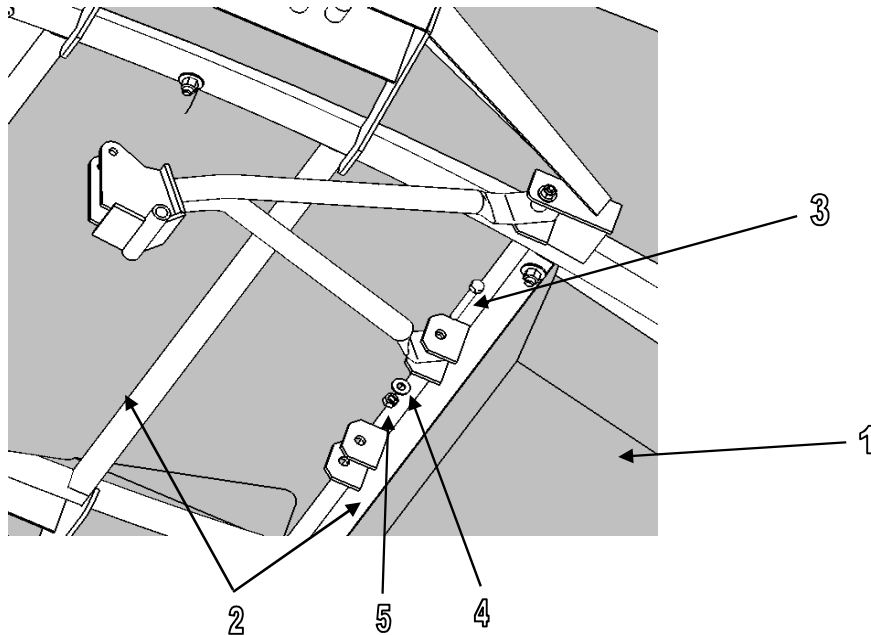
Your Opencoach is shipped partially assembled, with the following components:

- \* Welded steel frame and body assembly
- \* Tow bar assembly
- \* Skis
- \* Gas Shock suspension assembly
- \* Jumper wiring harness and connectors

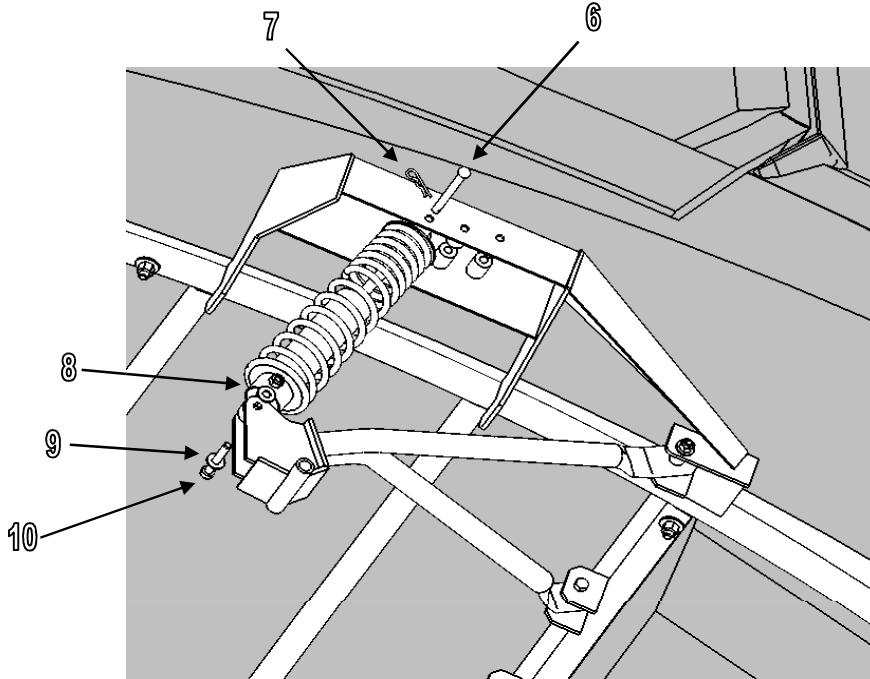
Inspect contents to ensure all parts have been received. Please refer to parts list for specific part number. Call 1-800-665-7487 for assembly assistance.

### **A-FRAME ASSEMBLY INSTRUCTIONS**

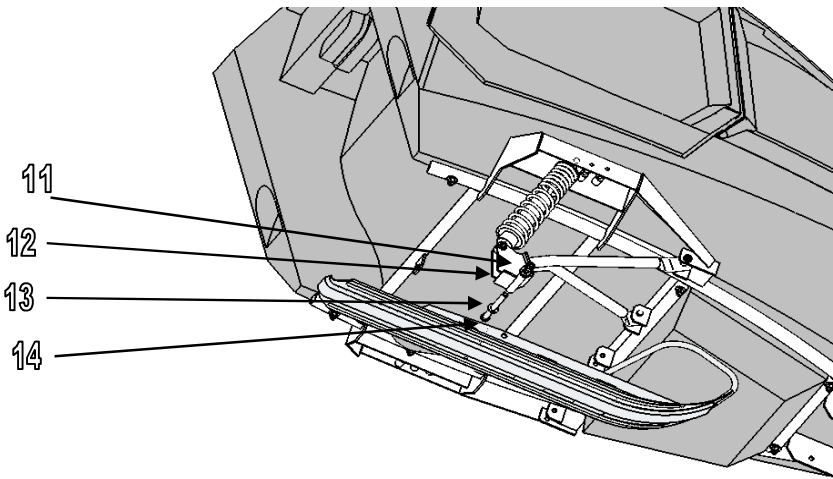
**Step 1:** Attach the "A-Frame" to the Opencoach frame by securing the outer leg with the 3/8" x 2 1/2" Hex Head Bolt, two 3/8" Washers and 3/8" Nut, first and then the inner leg.



**Step 2:** Next attach the bottom end of the Gas Shock to the knee-joint of the A-Frame using the 3/8" x 2" bolts, two 3/8" washers and 3/8" nylon locknut. Then attach the top of the Gas Shock to the shock adjustment casing on the Snowcoach frame using the Upper Shock Pin and the Hair Pin as shown below.



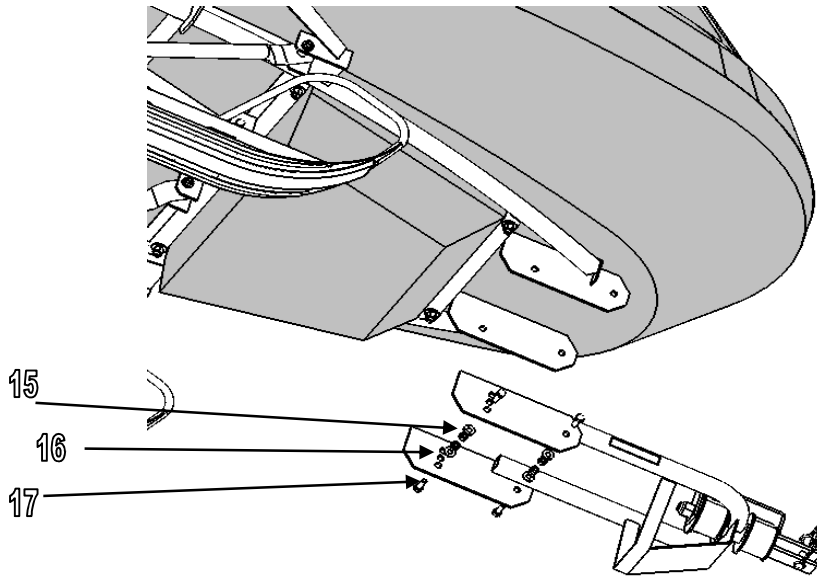
**Step 3:** Attach the ski onto the Gas Shock heel as below using the 1/2" x 5 1/2" Hex Bolt, two 1/2" washers, two 1/2" machine bushings and 1/2" nylon locknut.



**Step 4:** Repeat for the opposite Gas Shock and ski assembly. Once the Gas Shock and skis have been attached, stand the unit upright for the hitch assembly.

**Step 5:** Attach the hitch onto the Snowcoach frame with the four 3/8" x 1 1/4" fine

thread bolts, eight 3/8" USS 17 Washers and four 3/8" fine thread nylon locknuts.



### **INSTALLING BRAKE/TAIL LIGHT WIRING CONNECTION**

**Step 6:** Splice the jumper harness to the appropriate wire (details below) on the snowmobile, using the connectors provided. Secure the jumper harness to the harness on the snowmobile and test by turning on the snowmobile and applying the

Note: The table below compares the current harness assemblies of some popular snowmobiles with the Opencoach harness.

<b><i>Function</i></b>	<b><i>Snowcoach</i></b>
Ground	Yellow
Running	Green
Brake	Brown

\*\* Consult your local snowmobile dealer to obtain the current functions of your snowmobiles' harness.

Assembly is now complete.

Before you head out onto the trail with your new Opencoach in tow, become familiar with the Operating and Maintenance Instructions so that you and your family and friends can enjoy hours of carefree snowmobiling pleasure.

### **Lexan Windows**

Cleaning: Rinse with luke warm water, wash gently with mild soap or detergent and luke warm water using a soft cloth or sponge. DO NOT SCRUB or use brushes or squeegees.

To minimize scratches and minor abrasions, use automotive polish such as Johnson's Paste Wax or Novus Mirror Glaze Plastic Polish.

### **Window Fogging**

Units are shipped with three holes in the frame above the door and adjustable vents in the rear window to reduce fogging. An anti-fogging solution can be picked up from most hardware stores or from your dealer, this can be applied to the windows and will generally reduce fogging to a minimum.

### **WARNING!!!**

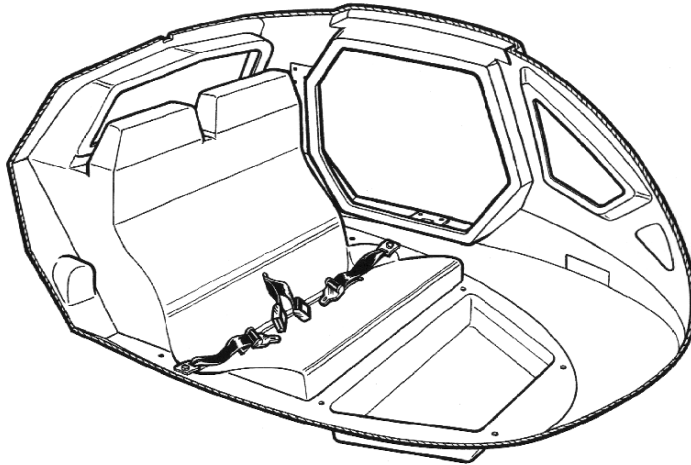
Warning - Snowmobile exhaust fumes are toxic. Exhaust fumes from your snowmobile can enter the Opencoach during certain operating conditions. Every effort should be made to minimize the potential for contamination and to provide passengers with fresh air. A list of recommended practices include but is not limited:

- \* Don't leave the snowmobile running when you are stopped with passengers in the Snowcoach.
- \* Use oils specifically designed to reduce emissions.
- \* When travelling in a group of snowmobiles either position yourself at the front of the group or sufficiently seperated to make sure there has been an opportunity for the confined exhust fumes to dissipate.

Incorporating there and other safety precautions will help to insure your passengers of a safe and pleasant drive.

## **OPTIONAL SEAT CUSHION INSTALLATION**

The Snowcoach is shipped with velcro strips installed on the back of the head rests and on the bottom fold. The seat cushion has velcro along the top and bottom. Install the cushion pulling the seat belts through the openings provided and attach the velcro on the seat cushion to the velcro on the Snowcoach seating.



## **STORAGE**

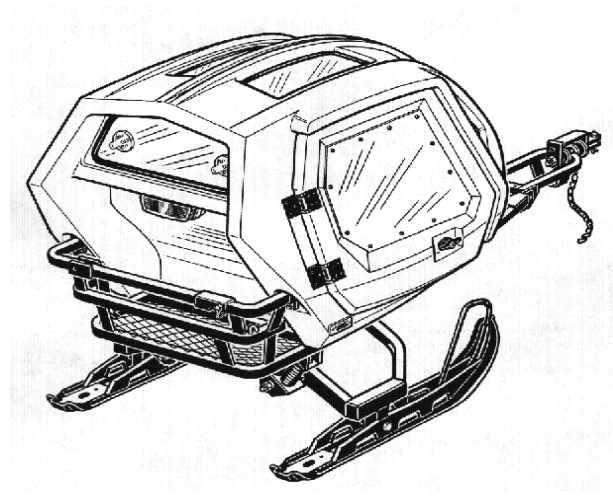
Equinox has a Storage and Transport Cover available for the Opencoach that will protect the polyethylene body from UV degradation if the unit is stored out of doors. This part can be ordered through your dealer or directly from Equinox Industries.

## **OPERATING AND MAINTENANCE**

1. Before using, always inspect your Opencoach for damage and check to see that safety features such as the tail light is operating properly.
2. Always insure that the safety chain is connected to the tow vehicle.
3. The additional weight of the Opencoach will change the handling and braking characteristics of the towing snowmobile. Adjust speed accordingly. Remember, the Opencoach Gross Vehicle Weight (GVW) under maximum load is approximately 485 lbs. (220 kg).

4. Towing speeds should not exceed 20 mph (33 km/h) at any time and extra caution should be taken when negotiating moguls, riding in ditches, crossing culverts, driveways, roads or passing between obstacles. Be aware of overhanging obstacles.
5. NEVER make high-speed turns, particularly on sloped surfaces or embankments.
6. Passengers should always wear approved helmets.
7. Passengers should not ride standing up nor on the outside of the Snowcoach at any time.
8. The Opencoach is not heated; remember, passengers should dress to prevent chill.
9. Infants are NOT recommended as passengers. Do not cruise for extended periods of time with small children.
10. Do not overload Opencoach.
11. Never spin the snowmobile track while towing the Opencoach. Even though the windshield blocks wind and blowing snow, injury to the passengers from flying debris could occur.
12. Do not use solvents to clean the windshield or the decals.

BG-30682  
Optional Steel Storage Rack



Parts List	Qty.	Description	Ref #
BG-SD0450	1	Snowcoach Body	1
BG-90687	1	Frame	2
BG-SD5025	2	Restraint Belt	
FA-03752	9	3/8" x 2" GR 5 Capscrew	
FA-83615	9	3/8" Reg Thread Locknut	

Parts List	Qty.	Description	Ref #
FA-037301	9	Washer 3/8" USS	
FA-S1243	1	Tail Light Assembly	
FA-SD14250	3	Wire Quick Connect - Nylon Insulated	
FA-S12498	1	Wiring Harness - Snowcoach	
FA-S1255	1	Nylon Ties	
FA-0832150	2	Machine Screw 8/32" x 1 1/2"	
FA-SD0832	2	Nylon Locknut 8/32"	
BG-SD041	1	Door - Left Snowcoach	
BG-SD04R	1	Door - Right Snowcoach	
BG-SD007DL	1	Window - Door Left 685	
FA-050375	12 ft	Foam Gasket 1/2" x 3/8"	
BG-S0383	1	Warning Label Operation	
FA-685-1001	2	Door Plate - Snowcoach 685	
FA-685-1003	4	Hinge Assembly - Snowcoach 685	
FA-685-1010	4	Door Backing Plate - Snowcoach 685	
FA-685-1011	2	Latch Backing Plate - Snowcoach 685	
FA-685-1013	1	Crank Assembly - Right Snowcoach 685	
FA-685-0074	2	Inside Handle - Snowcoach 685	
FA-T303-90CCV	2	Door Handle Keyed	
FA-3160575	8	3/16" Avdel Rivet (1/2" to 3/4" grip)	
FA-3162550	16	Avdel Rivet 3/16"	
BG-SD007DR	1	Window - Door Right 685	
BG-S1253	24	Windshield Dart Clips 685	
FA-SD103275	4	10/32" x 3/4" Machine Screw - Flat	
FA-SD1024	2	Machine Screw 10/24" x 1" Round	
BG-S0383-F	1	Warning Label Operation	
FA-685-1002	2	Sill Plate - Snowcoach 685	
FA-685-1009	2	Body Backing Plate	
FA-0832100	2	Machine Screw 8/32" x 1"	
FA-3160575	12	3/16" Avdel Rivet (1/2 to 3/4 grip)	
BG-SD048	15 ft	Trim Seal 3/8" bulb	
BG-SD007B	1	Window - Rear Snowcoach 685	
BG-SD007BD	2	Back Window Vent Disc 685	
BG-SD007C	2	Window - Corners 685	
BG-SD007T	2	Window - Top 685	
BG-SD007F	2	Window - Front 685	
BG-SD025B	33 ft	Window Extrusion	
BG-SD5174	2	Reflector, Red	
BG-SD5175	2	Reflector, Amber	
BG-SD0632	8	Nylon Locknut 6/32"	
FA-632075	2	Machine Screw 6/32" x 3/4" Flat Socket	
FA-07500	4	3/4" SS Flatwasher	
FA-300075	2	Baurr Washer #6	
BG-82609	1	Locknut 3/8" Nylon Hex	8
BG-SD3889	2	Static Decal - Equinox Snowcoach Deluxe	
BG-SD3887	1	Decal - Snowcoach Nose	
BG-90089R	1	"A-Frame" Shock - Right	
BG-90089L	1	"A-Frame" Shock - Left	
BG-S0381	1	Warning Label Speed	
BG-S0387	1	Decal (Kiss Cut)	
BG-SD3888	2	Decal - 685	
BG-S1095	2	Ski - Snowcoach	
BG-S1284	2	Waer Bar - Snowcoach Ski	
FA-82620	6	Nut 3/8"	
BG-SD948-B	1	Hitch - 685 Black	
BG-80021	1	Wire Lock Pin 3/8" x 2 1/2"	
BG-SD945-B	1	Draw Pin - Ltd. Rotation	
BG-80065	3	Cushion Disc	



<b>Parts List</b>	<b>Qty.</b>	<b>Description</b>	<b>Ref #</b>
BG-80089	4	Foam Cushion (heavy compression)	
FA-80018	1	Locknut w/nylon insert 5/8"	
FA-037301	8	Washer 3/8" USS 17	16
FA-83612	4	3/8" Fine Thread Nylon Locknut 18	15
FA-83026	4	3/8" x 1 1/4" Fine Thread Screw	17
FA-83615	1	3/8" reg. Thread Locknut	
FA-03803	4	3/8" x 2 1/2" Hex Head bolt	3
FA-037301	8	Washer 3/8" USS	4
FA-037201	4	Nut 3/8" - 16 NC Hex	5
FA-903125	2	Upper Shock Pin (3/8" x 3.55")	6
FA-903126	2	Upper Shock Hair Pin	7
BG-S2055	2	Bolt 1/2" - 13 UNC x 5 1/2" 316 SS	14
FA-62502	4	3/8" SS Flat Washer	9
BG-S2055	2	3/8" x 2" Hex Head Bolt	10
BG-SD0632	2	1/2" Nylon Locknut 6/32"	11
FA-82602	4	1/2" Machine bushing M16L	12
BG-S2057	4	1/2" USS Flat Washer	13

**Accessories Available**

<b>BG-S1275</b>	<b>1</b>	<b>Black Seat Cushion</b>
<b>BG-30682</b>	<b>1</b>	<b>Storage Rack</b>
<b>BG-30685</b>	<b>1</b>	<b>Transport Cover</b>
<b>BG-S1269</b>	<b>1</b>	<b>Ski Skins</b>
<b>BG-S1098-E</b>	<b>1</b>	<b>Composite Ski Set</b>
<b>BG-20680</b>	<b>1</b>	<b>ATV Conversion Kit</b>

**Equinox Industries Ltd.**  
**Toll Free 800-665-7487 (Canada)**  
**Toll Free 800-563-3352 (USA)**  
 401 Chrislind Street  
 Winnipeg, MB R2C 5G4

Web Site: **www.eqnx.biz**  
 Email: **info@eqnx.biz**