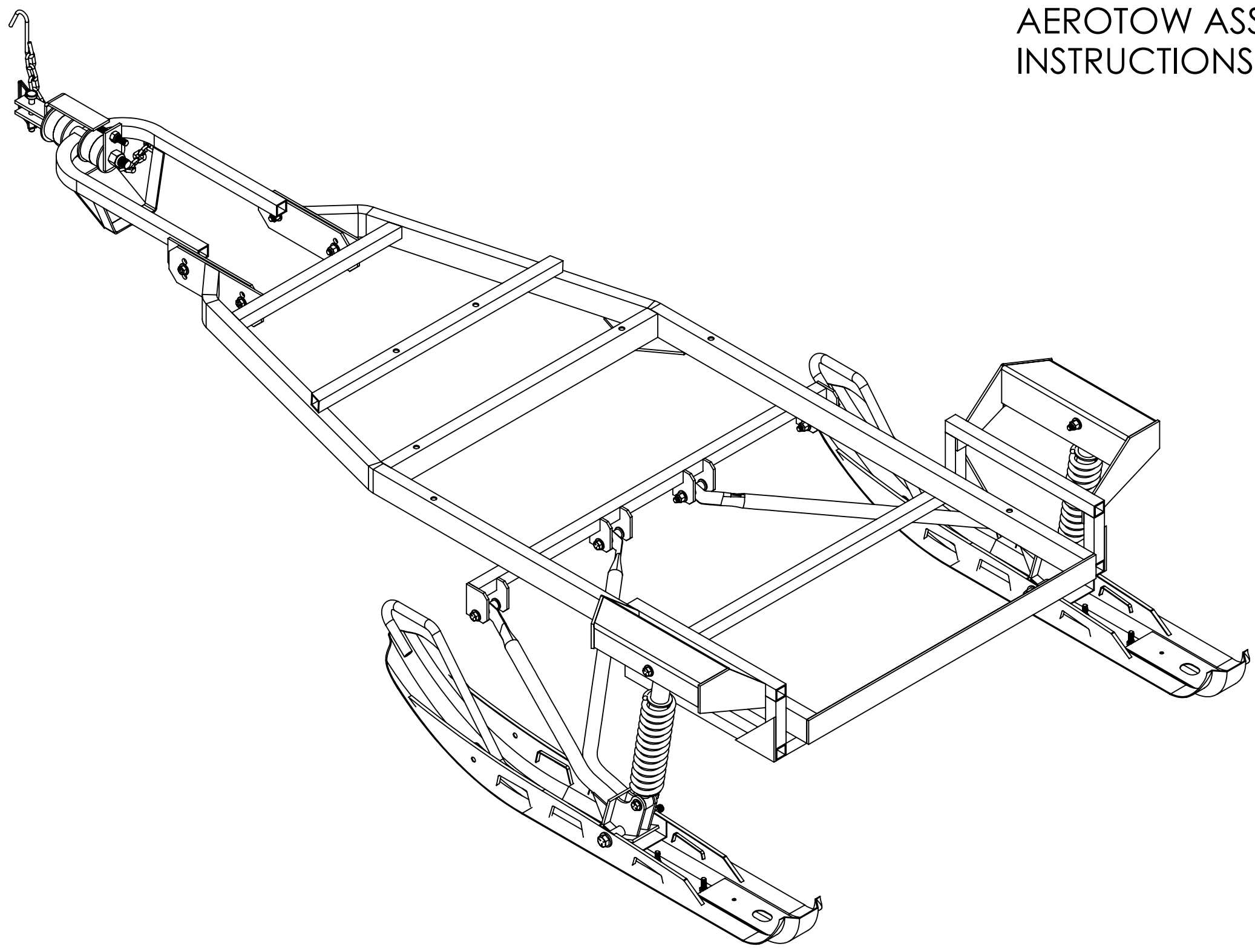


8 7 6 5 4 3 2 1

D
C
B
A

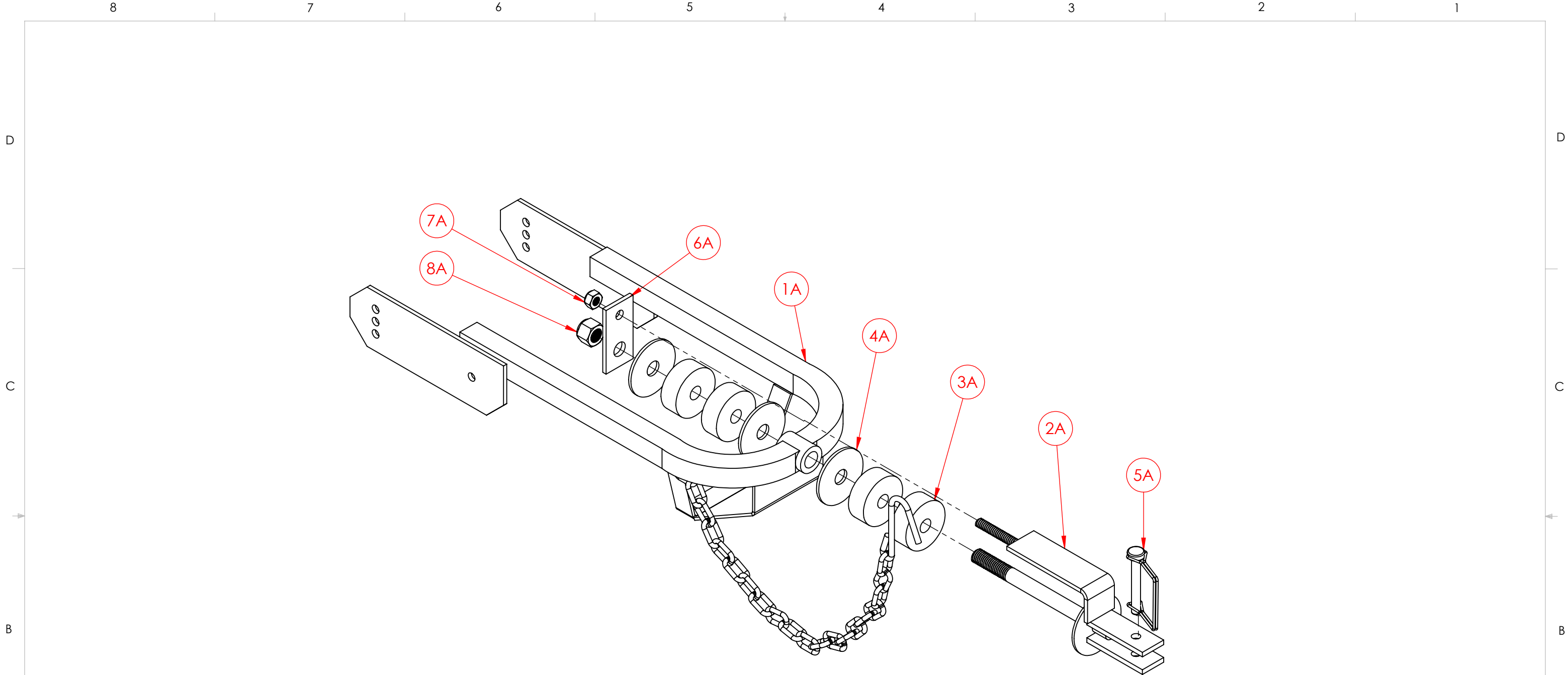
D
C
B

AEROTOW ASSEMBLY INSTRUCTIONS



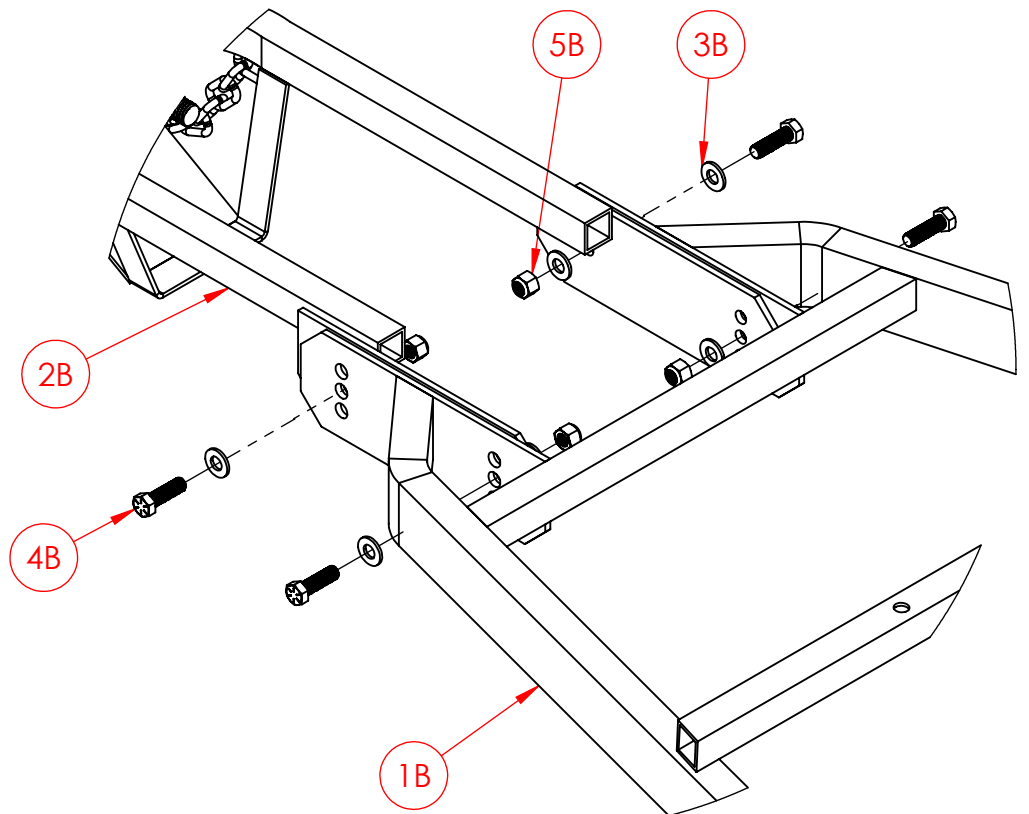
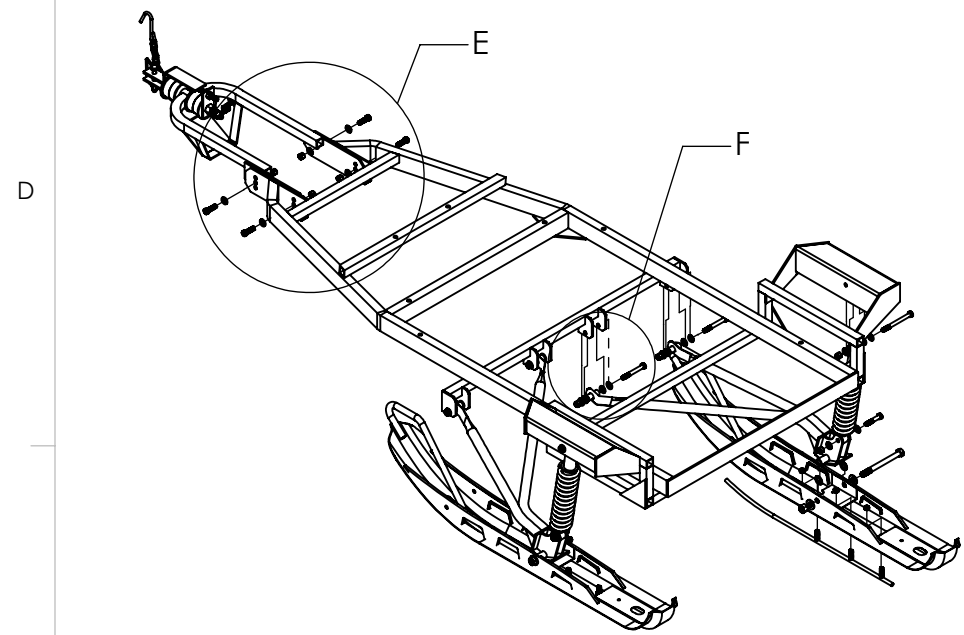
8 7 6 5 4 3 2 1

PROPRIETARY AND CONFIDENTIAL
THE INFORMATION CONTAINED IN THIS DRAWING IS THE SOLE PROPERTY OF EQUINOX INDUSTRIES LTD. ANY REPRODUCTION IN PART OR AS A WHOLE WITHOUT THE WRITTEN PERMISSION OF EQUINOX INDUSTRIES LTD IS PROHIBITED.

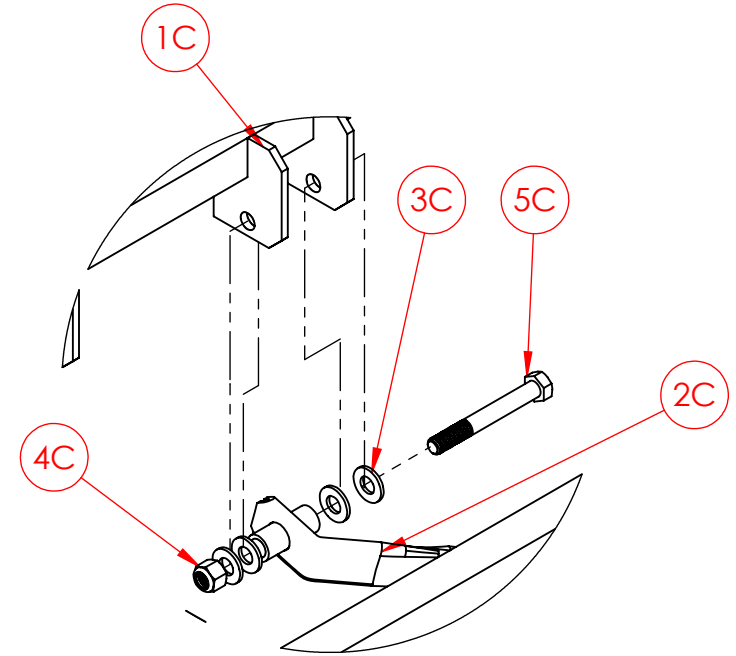


ITEM NO.	DESCRIPTION	QTY.
1A	SNOWCOACH HITCH-01	2
2A	LIMITED ROTATION PIN 04	1
3A	COMPRESSION DISC	4
4A	HITCH PIN WASHER	3
5A	Wire Lock Pin, 9 mm	1
6A	LIMITED ROTATION PIN PLATE	1
7A	M10 LOCKNUT	1
8A	5/8"-11 LOCKNUT	1

PROPRIETARY AND CONFIDENTIAL
 THE INFORMATION CONTAINED IN THIS DRAWING IS THE SOLE PROPERTY OF EQUINOX INDUSTRIES LTD. ANY REPRODUCTION IN PART OR AS A WHOLE WITHOUT THE WRITTEN PERMISSION OF EQUINOX INDUSTRIES LTD IS PROHIBITED.



DETAIL E
SCALE 1 : 5

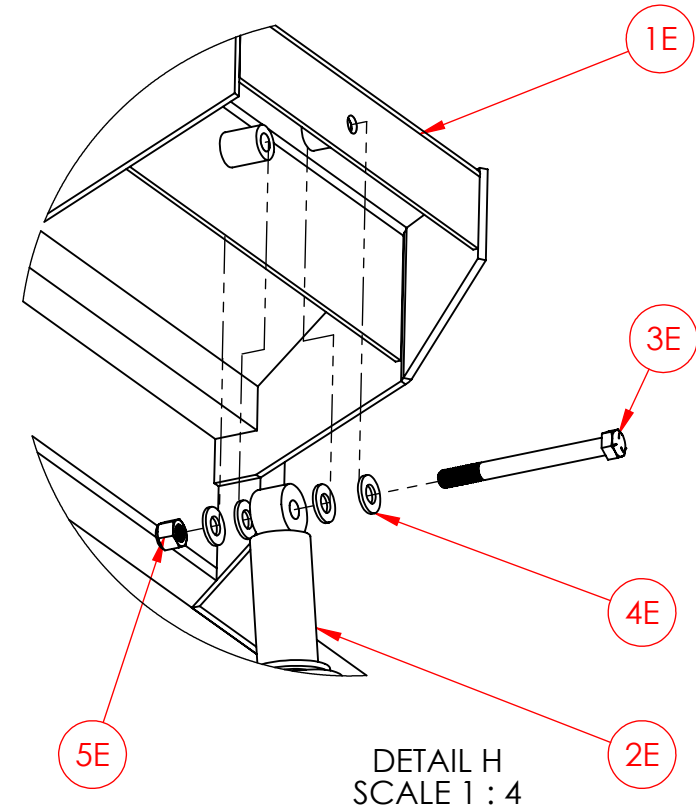
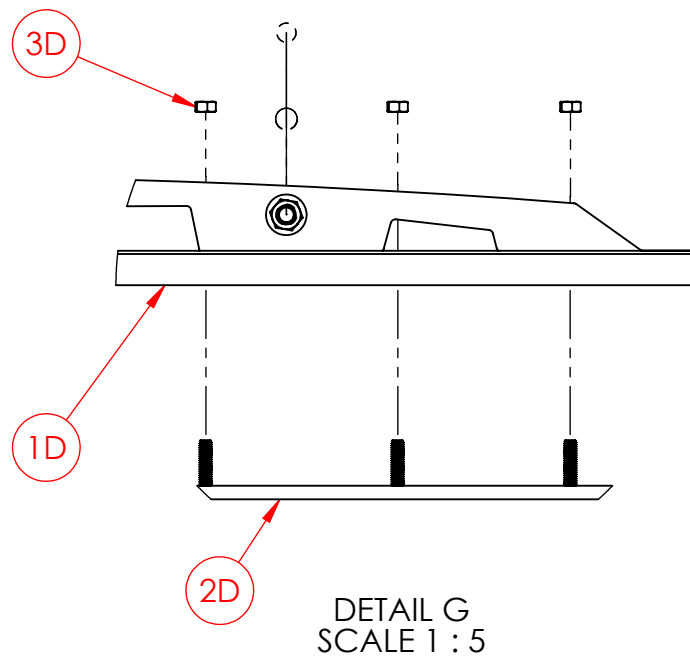
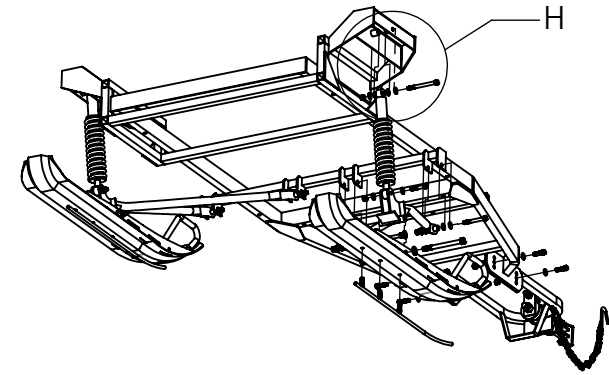
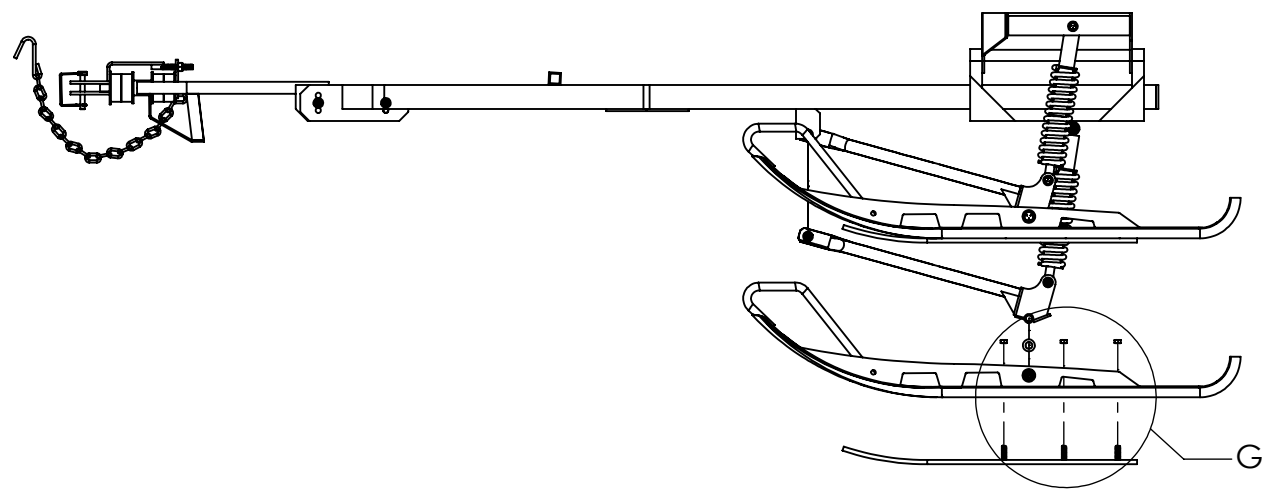


DETAIL F
SCALE 1 : 4

ITEM NO.	DESCRIPTION	QTY.
1B	AEROTOW FRAME	1
2B	HITCH ASSEMBLY	1
3B	3/8" WASHER	8
4B	3/8" X 1/1/4" F.T. BOLT	4
5B	3/8" F.T. LOCKNUT	4

ITEM NO.	DESCRIPTION	QTY.
1C	AEROTOW TAB	2
2C	A-ARM	1
3C	3/8" WASHER	4
4C	3/8" NYLON LOCKNUT	1
5C	3/8" X 3" HEX HEAD BOLT	1

PROPRIETARY AND CONFIDENTIAL
 THE INFORMATION CONTAINED IN THIS DRAWING IS THE SOLE PROPERTY OF EQUINOX INDUSTRIES LTD. ANY REPRODUCTION IN PART OR AS A WHOLE WITHOUT THE WRITTEN PERMISSION OF EQUINOX INDUSTRIES LTD IS PROHIBITED.



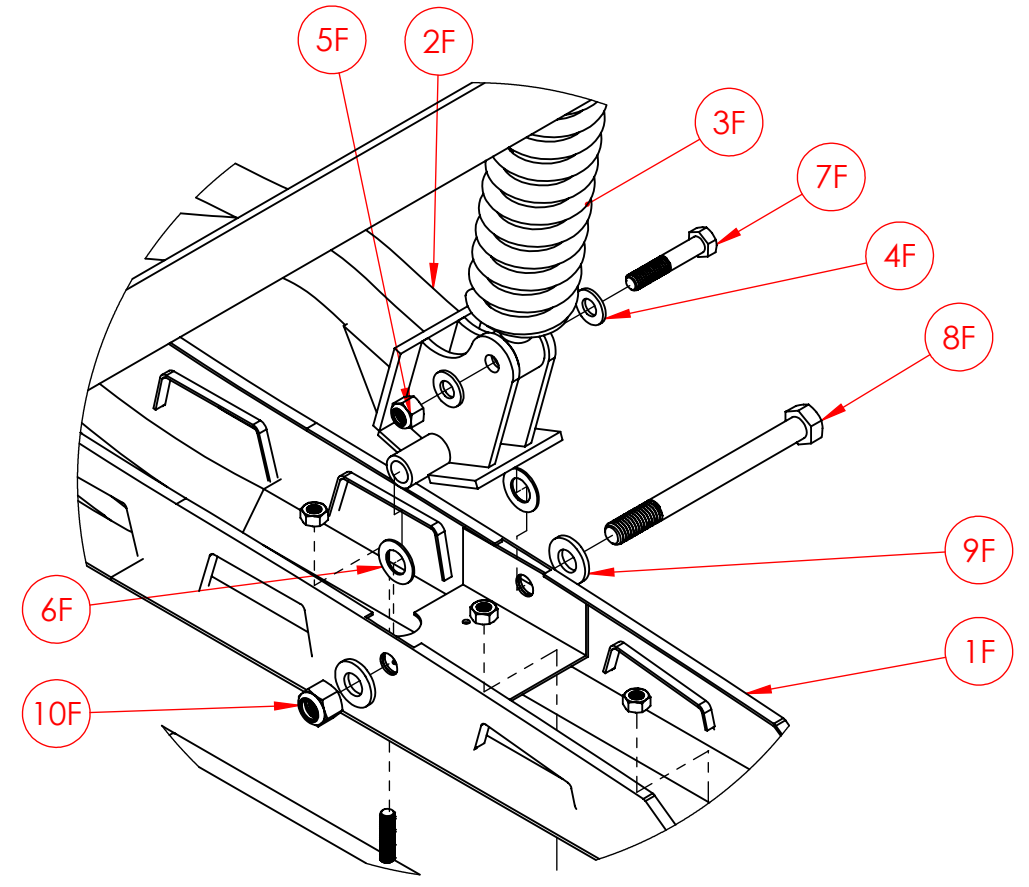
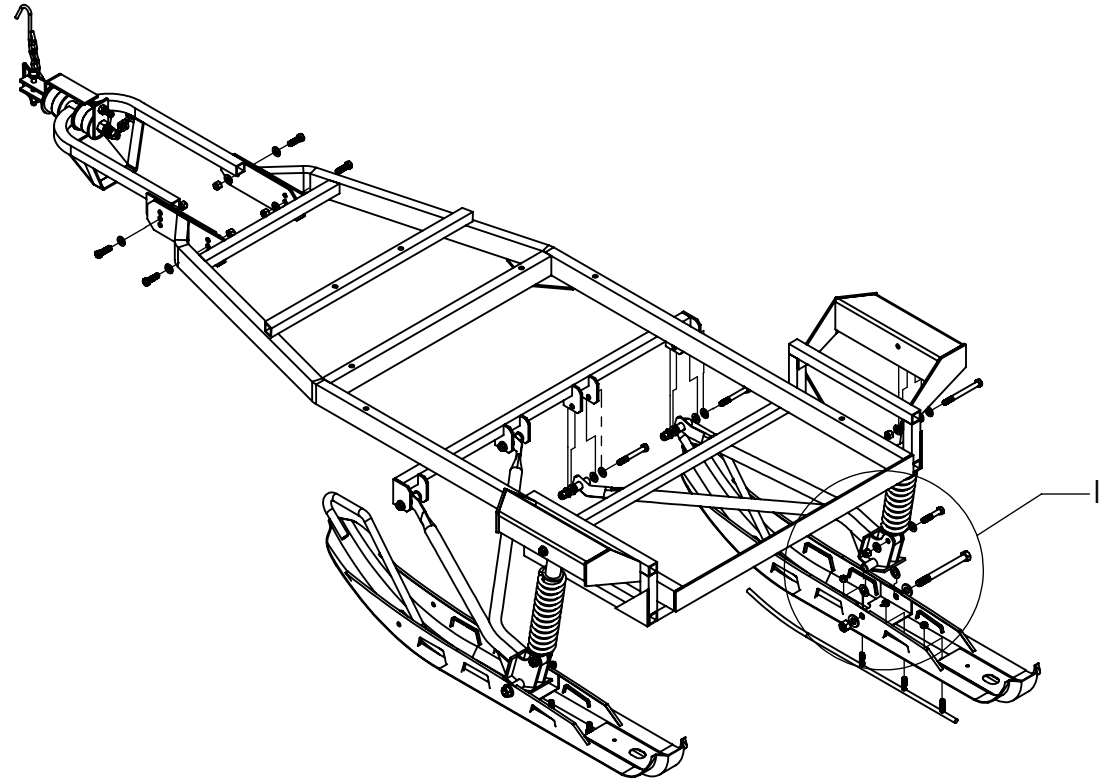
ITEM NO.	DESCRIPTION	QTY.
1D	SKI	1
2D	WEAR BAR	1
3D	5/16" HEX NUT	3

ITEM NO.	DESCRIPTION	QTY.
1E	AEROTOW WING	1
2E	AEROTOW SHOCK	1
3E	3/8" X 4" HEX HEAD BOLT	1
4E	3/8" WASHER	4
5E	3/8" NYLON LOCKNUT	1

PROPRIETARY AND CONFIDENTIAL
 THE INFORMATION CONTAINED IN THIS DRAWING IS THE SOLE PROPERTY OF EQUINOX INDUSTRIES LTD. ANY REPRODUCTION IN PART OR AS A WHOLE WITHOUT THE WRITTEN PERMISSION OF EQUINOX INDUSTRIES LTD IS PROHIBITED.

8 7 6 5 4 3 2 1

D
C
B
A



DETAIL I
SCALE 1 : 4

ITEM NO.	DESCRIPTION	QTY.
1F	SKI	1
2F	A-ARM	1
3F	AEROTOW SHOCK	1
4F	3/8" WASHER	2
5F	3/8" NYLON LOCKNUT	1
6F	1" MACHINE BUSHING	2
7F	3/8" X 2" HEX HEAD BOLT	1
8F	1/2" X 5 1/2" HEX HEAD BOLT	1
9F	1/2" WASHER	2
10F	1/2" NYLON LOCKNUT	1




PROPRIETARY AND CONFIDENTIAL
 THE INFORMATION CONTAINED IN THIS DRAWING IS THE SOLE PROPERTY OF EQUINOX INDUSTRIES LTD. ANY REPRODUCTION IN PART OR AS A WHOLE WITHOUT THE WRITTEN PERMISSION OF EQUINOX INDUSTRIES LTD IS PROHIBITED.

8 7 6 5 4 3 2 1

KITS INCLUDE:

- [2] 3/8" X 4" HEX HEAD BOLTS
- [4] 3/8" X 3" HEX HEAD BOLTS
- [2] 3/8" X 2" HEX HEAD BOLTS
- [4] 3/8" X 1 1/4" FINE THREAD HEX HEAD BOLTS
- [2] 1/2" X 5 1/2" HEX HEAD BOLTS
- [36] 3/8" WASHERS
- [4] 1/2" WASHERS
- [4] 1" MACHINE BUSHINGS
- [8] 3/8" COARSE THREAD NYLON LOCKNUT
- [4] 3/8" FINE THREAD NYLON LOCKNUT
- [2] 1/2" COARSE THREAD NYLON LOCKNUT
- [6] 5/16" HEX NUT
- [1] LIMITED ROTATION HITCH PIN
- [3] HITCH PIN WASHERS
- [4] COMPRESSION DISCS
- [1] M10 LOCKNUT
- [1] 5/8" LOCKNUT
- [1] 10 mm X 72 mm WIRE LOCK PIN
- [1] HITCH PIN BACKING PLATE
- [1] HITCH WITH CHAIN
- [2] A-ARMS
- [2] AEROTOW SHOCKS
- [2] SKIS
- [2] WEAR BARS
- [1] TRAILER WIRING HARNESS

LED TAIL LIGHT DIAGRAM

FUNCTION	HARNESS
GROUND	BROWN 
RUNNING	GREEN 
BRAKE	YELLOW 

PROPRIETARY AND CONFIDENTIAL
 THE INFORMATION CONTAINED IN THIS DRAWING IS THE SOLE PROPERTY OF EQUINOX INDUSTRIES LTD. ANY REPRODUCTION IN PART OR AS A WHOLE WITHOUT THE WRITTEN PERMISSION OF EQUINOX INDUSTRIES LTD IS PROHIBITED.